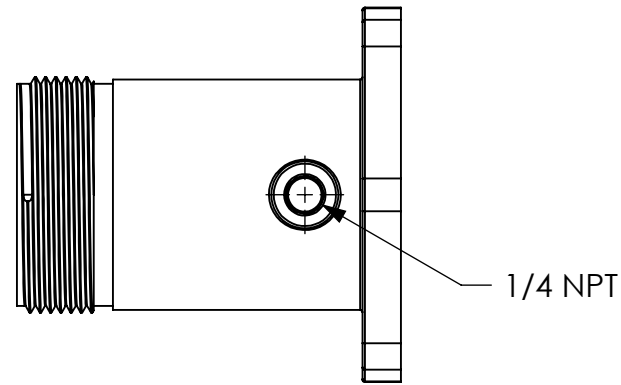
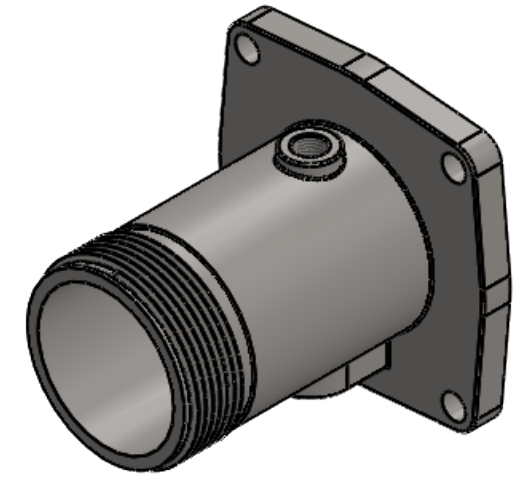
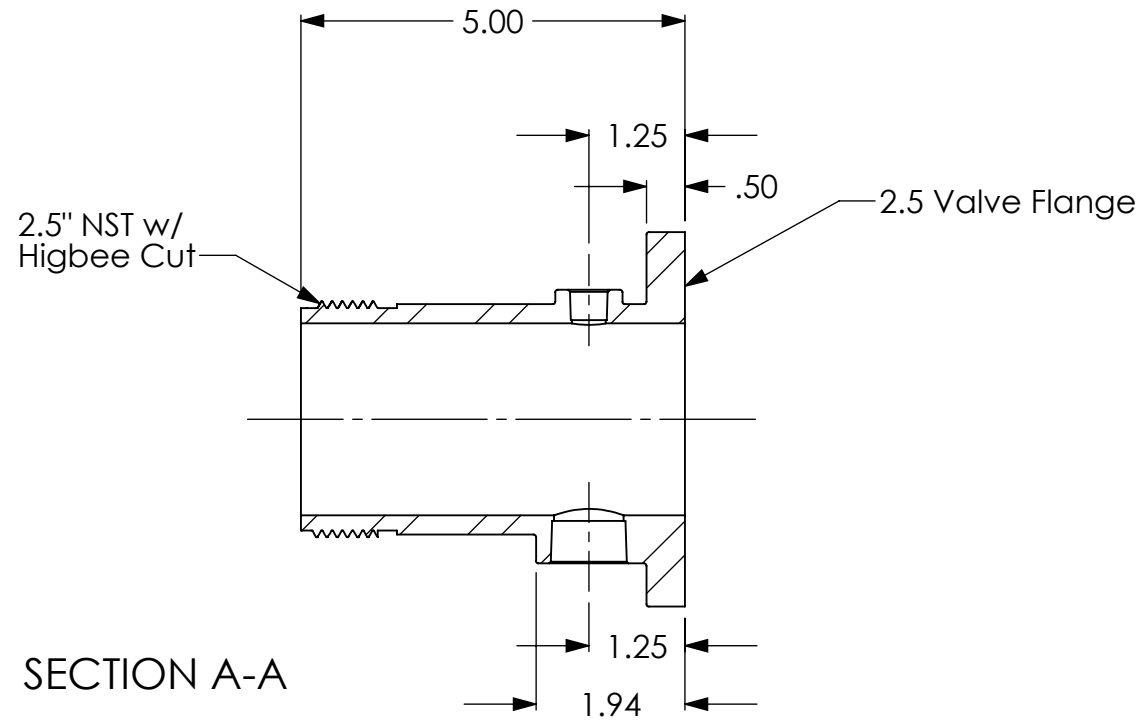
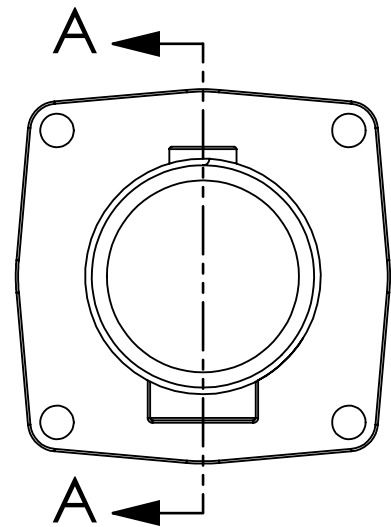


NOTES:

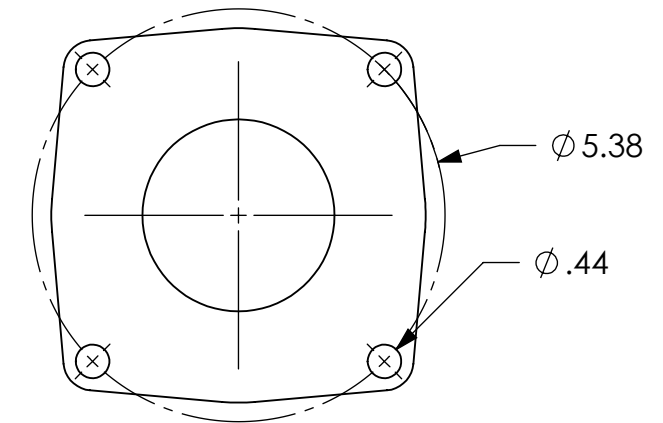
1. MATERIAL: AISI 304 STAINLESS STEEL.



1/4 NPT

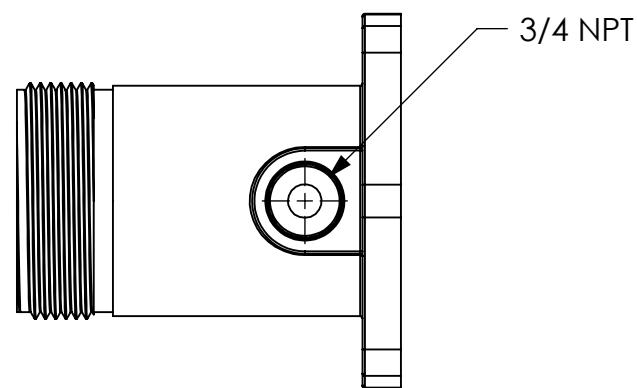


SECTION A-A



Ø 5.38

Ø .44



3/4 NPT

DRAWING NOTES UNLESS OTHERWISE SPECIFIED
 1. All dimensions are in inches.
 2. Do not scale drawing.
 3. Decimal Tolerance X.XX = +/- 0.01
 4. Decimal Tolerance X.XXX = +/- 0.005
 5. Fractional Tolerance X/X = +/- 1/16
 6. Angle Tolerance: +/- 1.0 degree

APPROXIMATE WEIGHT (LBS)
 5.200

THE INFORMATION CONTAINED IN THIS DRAWING IS THE SOLE PROPERTY OF FIRE PROGRAMS, LLC. ANY REPRODUCTION IN PART OR AS A WHOLE WITHOUT THE WRITTEN PERMISSION OF FIRE PROGRAMS, LLC IS PROHIBITED.

FirePrograms

6405 SW 38th St, Bldg 200
 Ocala, FL 34474
 Phone: 800.327.7638
 www.fireprograms.com

TITLE
**Cstg 2.5 Vlv x 2.5 NST
 w/ Drain**

DRAWING NUMBER
500441

REV
 A

DATE
 10/31/2024

SHEET SCALE
 1:2.5

SHEET
1 OF 1

REVISIONS		
REV.	DATE	DESCRIPTION
A	10/31/2024	Initial Release