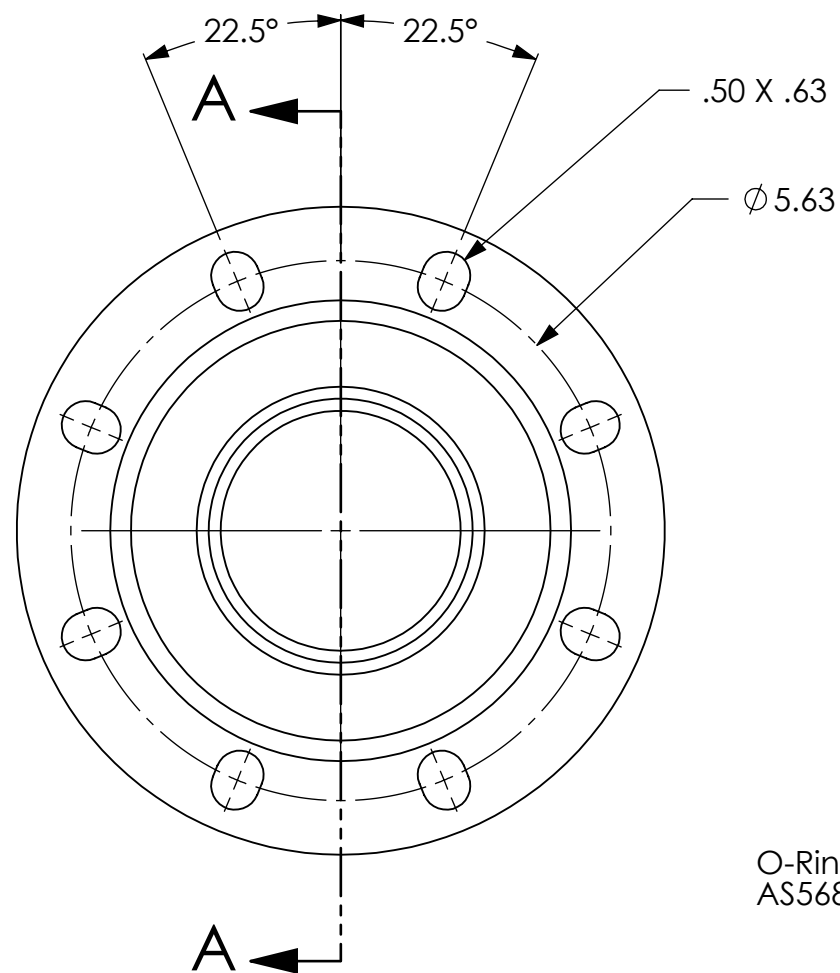
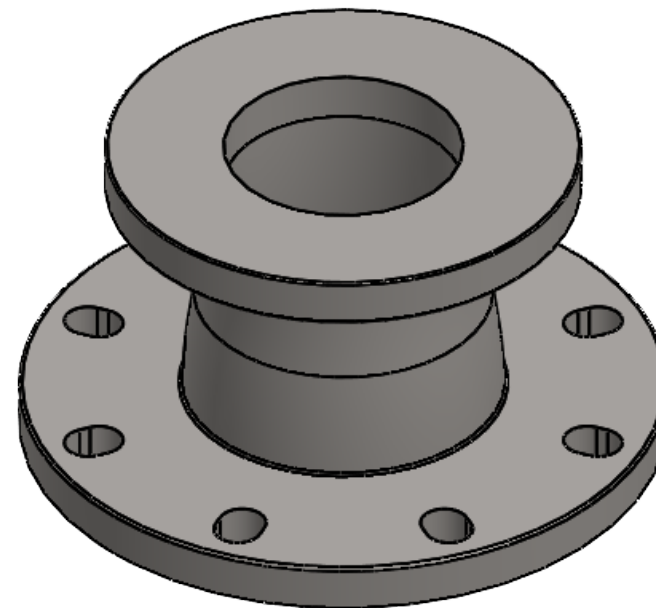


NOTES:

1. MATERIAL: AISI 304 STAINLESS STEEL

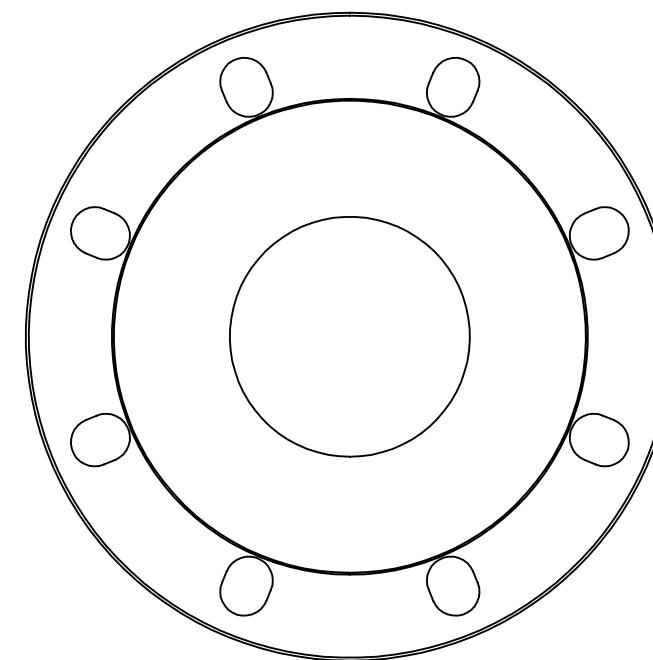


2433 Flange

Valve Flange 2.5

O-Ring Groove
AS568-246

3.50



SECTION A-A

DRAWING NOTES UNLESS OTHERWISE SPECIFIED
 1. All dimensions are in inches.
 2. Do not scale drawing.
 3. Decimal Tolerance X.XX = +/- 0.01
 4. Decimal Tolerance X.XXX = +/- 0.005
 5. Fractional Tolerance X/X = +/- 1/16
 6. Angle Tolerance: 0.5 degrees

FirePrograms
SOFTWARE

6405 SW 38th St, Bldg 200
Ocala, FL 34474
Phone: 800.327.7638
www.fireprograms.com

TITLE
Cstg 2433 x Vlv S 2.5 x 3.5 H

APPROXIMATE WEIGHT (LBS)
7.08

THE INFORMATION CONTAINED IN THIS DRAWING IS THE SOLE PROPERTY OF FIRE PROGRAMS, LLC. ANY REPRODUCTION IN PART OR AS A WHOLE WITHOUT THE WRITTEN PERMISSION OF FIRE PROGRAMS, LLC IS PROHIBITED.

DRAWING NUMBER
500384

REV A	SHEET SCALE 1:2
DATE 1/2/2024	SHEET 1 OF 1

REVISIONS		
REV.	DATE	DESCRIPTION
A	1/2/2024	Initial Release