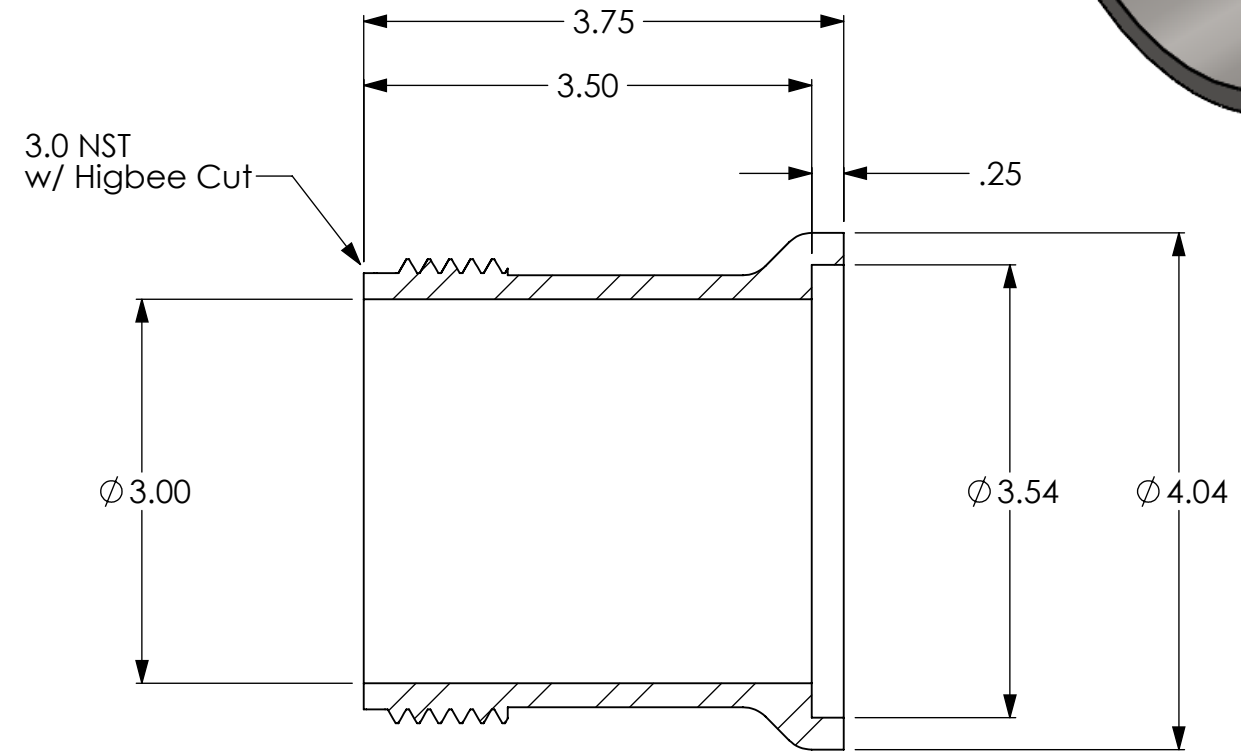
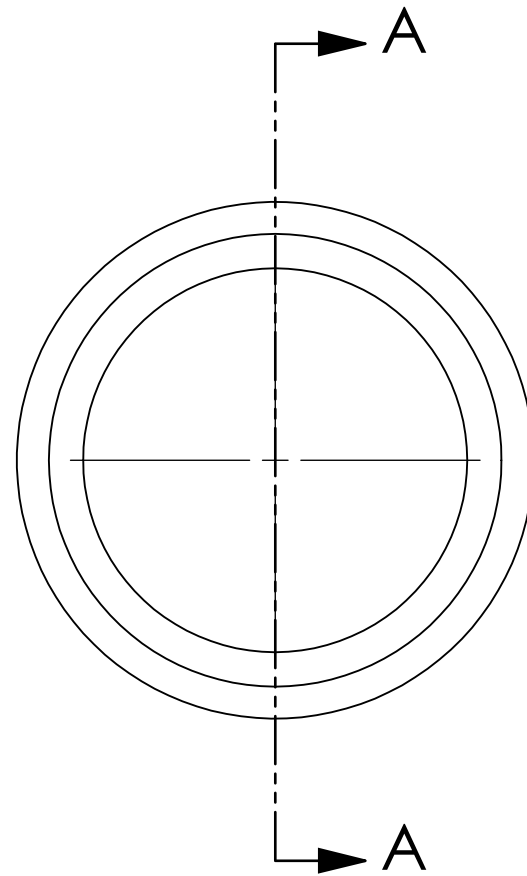
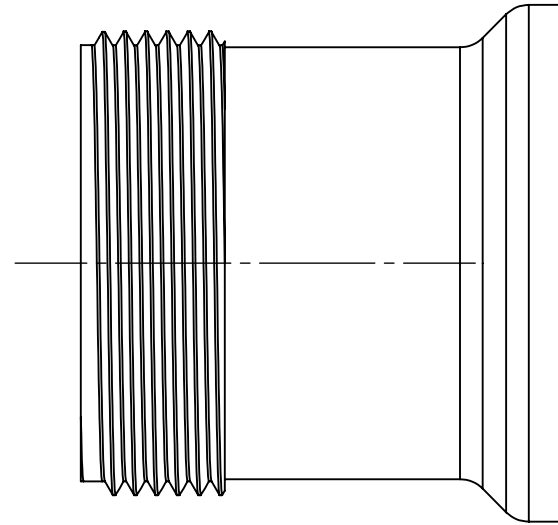
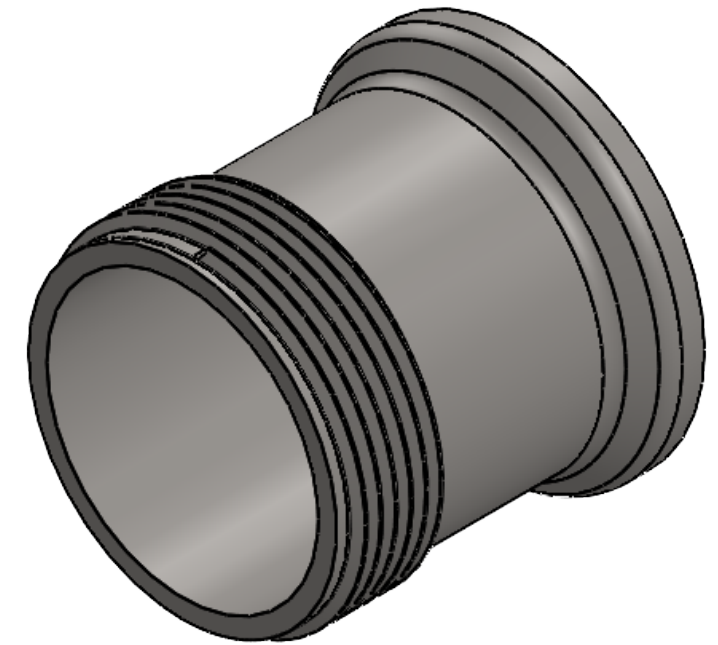


NOTES:

1. MATERIAL: AISI 304 STAINLESS STEEL



SECTION A-A

<p>DRAWING NOTES UNLESS OTHERWISE SPECIFIED</p> <ol style="list-style-type: none"> All dimensions are in inches. Do not scale drawing. Decimal Tolerance X.XX = +/- 0.01 Decimal Tolerance X.XXX = +/- 0.005 Fractional Tolerance X/X = +/- 1/16 Angle Tolerance: 0.5 degrees 	<p>FirePrograms SOFTWARE</p>		<p>6405 SW 38th St, Bldg 200 Ocala, FL 34474 Phone: 800.327.7638 www.fireprograms.com</p>	
	<p>TITLE Cstg 3.0 NST x 3.0 WB</p>			
<p>APPROXIMATE WEIGHT (LBS) 2.63</p>	<p>DRAWING NUMBER 500380</p>		<p>REV A</p>	<p>SHEET SCALE 1:15</p>
<p>THE INFORMATION CONTAINED IN THIS DRAWING IS THE SOLE PROPERTY OF FIRE PROGRAMS, LLC. ANY REPRODUCTION IN PART OR AS A WHOLE WITHOUT THE WRITTEN PERMISSION OF FIRE PROGRAMS, LLC IS PROHIBITED.</p>			<p>DATE 1/2/2024</p>	<p>SHEET 1 OF 1</p>

REVISIONS		
REV.	DATE	DESCRIPTION
A	1/2/2024	Initial Release