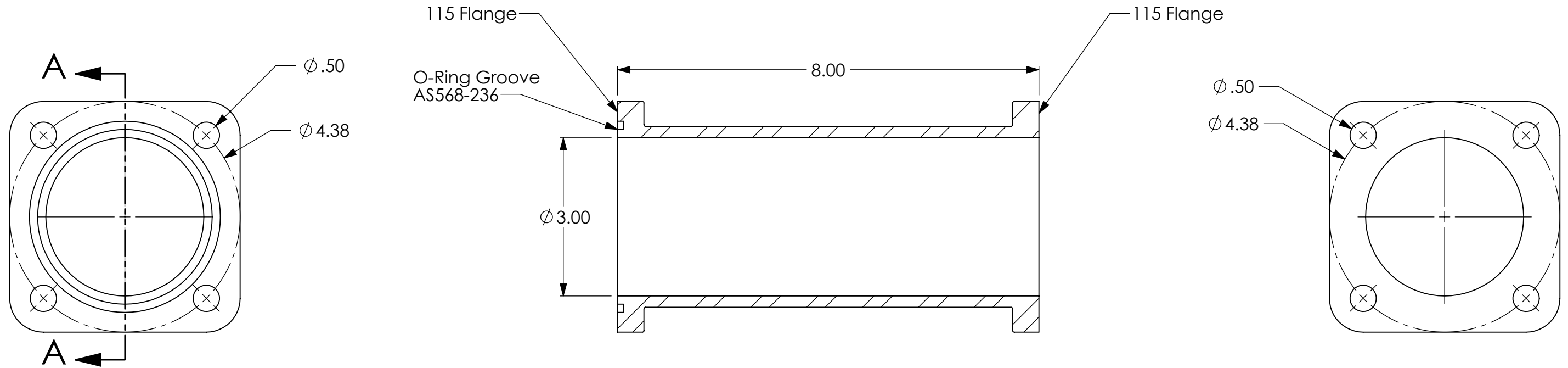
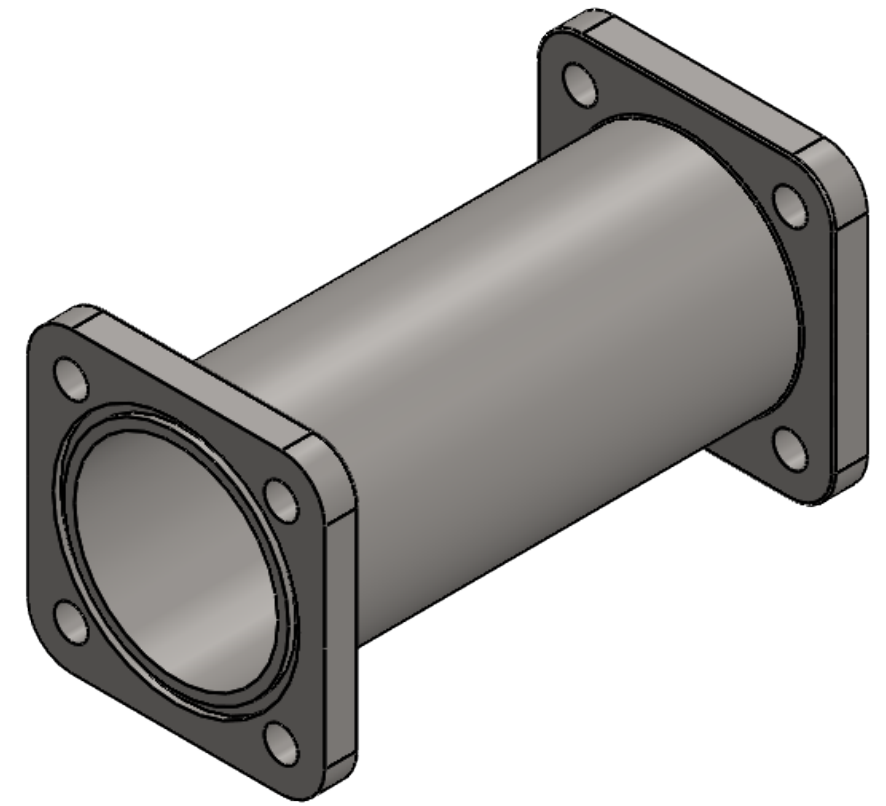


NOTES:

1. MATERIAL: AISI 304 STAINLESS STEEL.



SECTION A-A

| | | | | | |
|---|---|--------------------|---|----------|--------------------|
| DRAWING NOTES UNLESS OTHERWISE SPECIFIED 1. All dimensions are in inches. 2. Do not scale drawing. 3. Decimal Tolerance X.XX = +/- 0.01 4. Decimal Tolerance X.XXX = +/- 0.005 5. Fractional Tolerance X/X = +/- 1/16 6. Angle Tolerance: 0.5 degrees | FirePrograms TITLE Cstg 115 x 115 8.0 L | | 6405 SW 38th St, Bldg 200 Ocala, FL 34474 Phone: 800.327.7638 www.fireprograms.com | | |
| | APPROXIMATE WEIGHT (LBS) 7.521 | | DRAWING NUMBER 500368 | REV A | SHEET SCALE 1:2 |
| THE INFORMATION CONTAINED IN THIS DRAWING IS THE SOLE PROPERTY OF FIRE PROGRAMS, LLC. ANY REPRODUCTION IN PART OR AS A WHOLE WITHOUT THE WRITTEN PERMISSION OF FIRE PROGRAMS, LLC IS PROHIBITED. | | DATE 11/17/2023 | SHEET 1 OF 1 | | |

| REVISIONS | | |
|-----------|------------|-----------------|
| REV. | DATE | DESCRIPTION |
| A | 11/17/2023 | Initial Release |