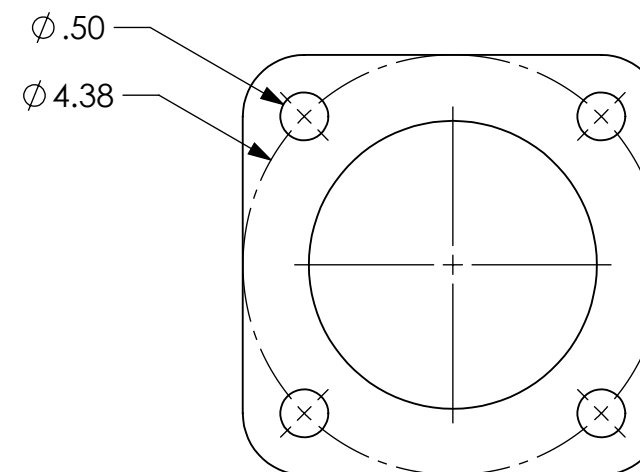
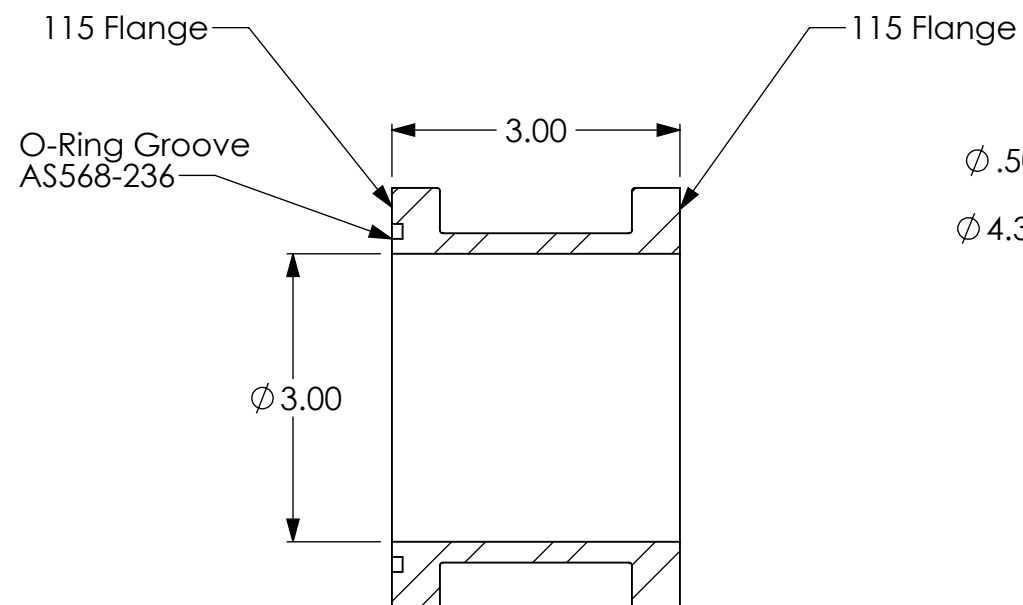
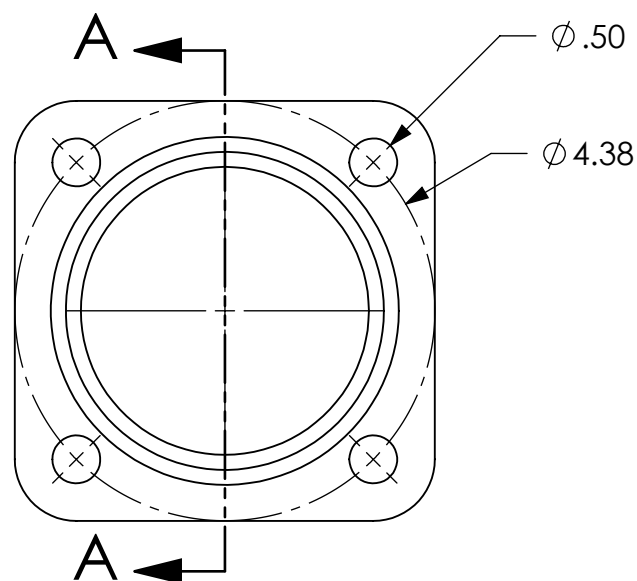
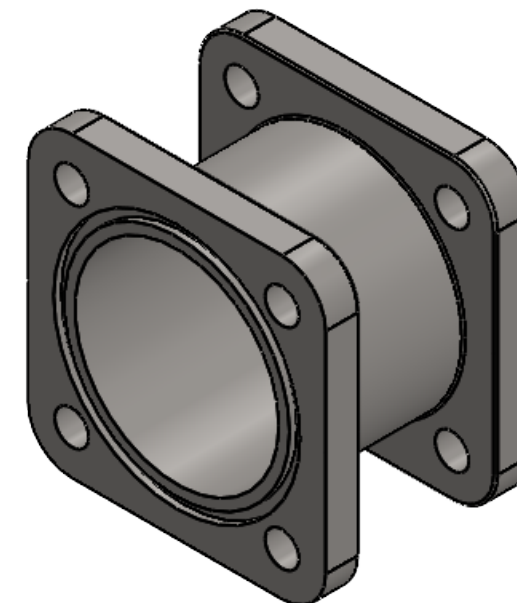


NOTES:

1. MATERIAL: AISI 304 STAINLESS STEEL.



SECTION A-A

DRAWING NOTES UNLESS OTHERWISE SPECIFIED
 1. All dimensions are in inches.
 2. Do not scale drawing.
 3. Decimal Tolerance X.XX = +/- 0.01
 4. Decimal Tolerance X.XXX = +/- 0.005
 5. Fractional Tolerance X/X = +/- 1/16
 6. Angle Tolerance: 0.5 degrees

FirePrograms

6405 SW 38th St, Bldg 200
 Ocala, FL 34474
 Phone: 800.327.7638
 www.fireprograms.com

TITLE
Cstg 115 x 115 3.0 L

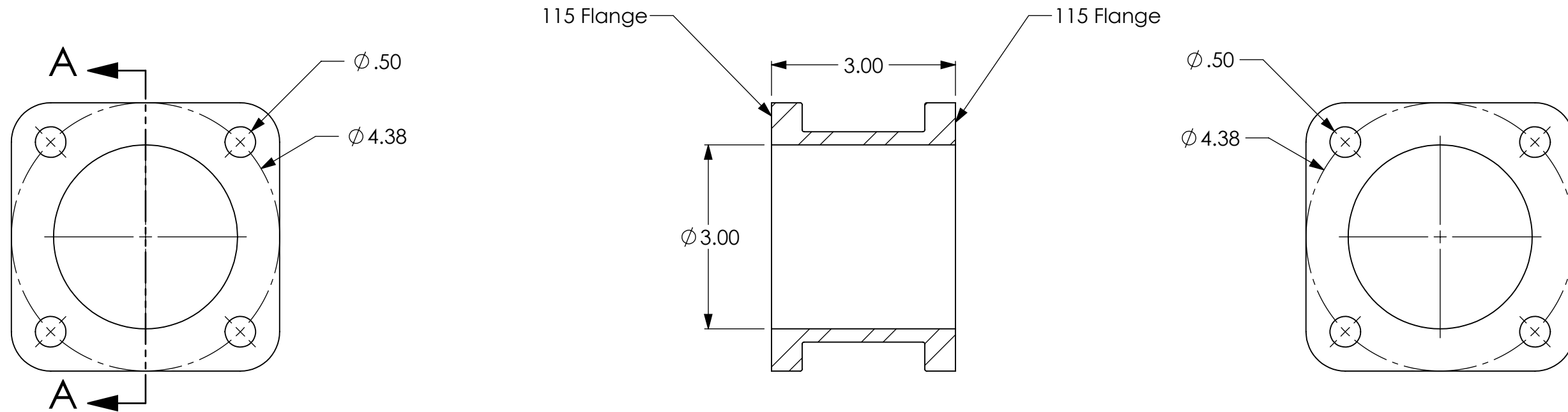
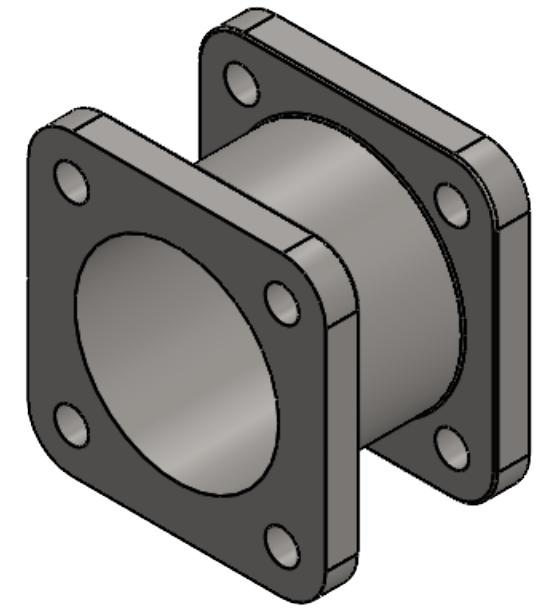
APPROXIMATE WEIGHT (LBS)
4.367

THE INFORMATION CONTAINED IN THIS DRAWING IS THE SOLE PROPERTY OF FIRE PROGRAMS, LLC. ANY REPRODUCTION IN PART OR AS A WHOLE WITHOUT THE WRITTEN PERMISSION OF FIRE PROGRAMS, LLC IS PROHIBITED.

DRAWING NUMBER
500365

REV A	SHEET SCALE 1:2
DATE 11/17/2023	SHEET 1 OF 2

REVISIONS		
REV.	DATE	DESCRIPTION
A	11/17/2023	Initial Release



SECTION A-A

DRAWING NOTES UNLESS OTHERWISE SPECIFIED 1. All dimensions are in inches. 2. Do not scale drawing. 3. Decimal Tolerance X.XX = +/- 0.01 4. Decimal Tolerance X.XXX = +/- 0.005 5. Fractional Tolerance X/X = +/- 1/16 6. Angle Tolerance: 0.5 degrees	FirePrograms TITLE Cstg 115 x 115 3.0 L		6405 SW 38th St, Bldg 200 Ocala, FL 34474 Phone: 800.327.7638 www.fireprograms.com	
	APPROXIMATE WEIGHT (LBS) 4.421		DRAWING NUMBER 500365-NG	
THE INFORMATION CONTAINED IN THIS DRAWING IS THE SOLE PROPERTY OF FIRE PROGRAMS, LLC. ANY REPRODUCTION IN PART OR AS A WHOLE WITHOUT THE WRITTEN PERMISSION OF FIRE PROGRAMS, LLC IS PROHIBITED.	REV A		SHEET SCALE 1:2	
	DATE 11/17/2023		SHEET 2 OF 2	