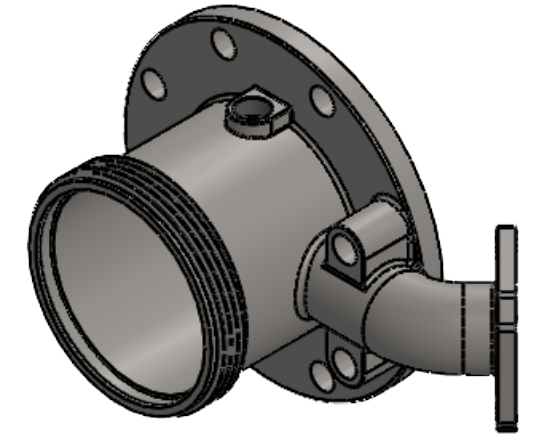
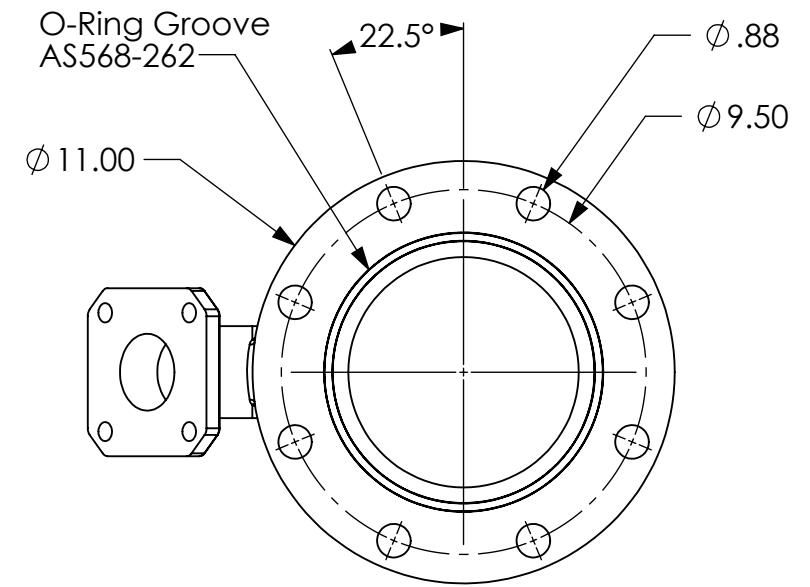
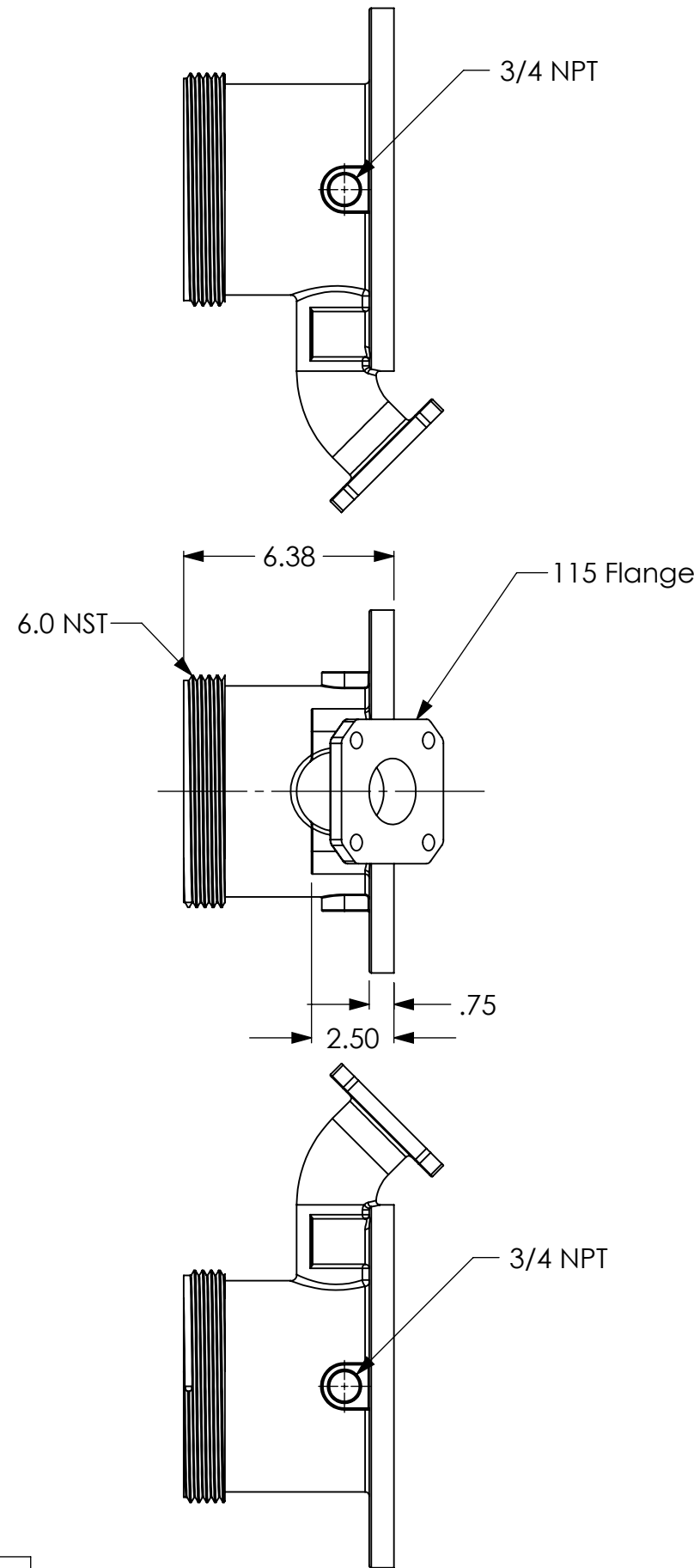
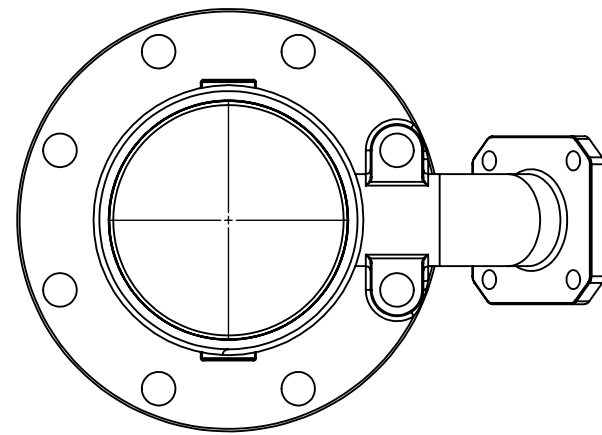


NOTES:

1. MATERIAL: AISI 304 STAINLESS STEEL.



DRAWING NOTES UNLESS OTHERWISE SPECIFIED	
1. All dimensions are in inches.	
2. Do not scale drawing.	
3. Decimal Tolerance X.XX = +/- 0.01	
4. Decimal Tolerance X.XXX = +/- 0.005	
5. Fractional Tolerance X/X = +/- 1/16	
6. Angle Tolerance: 0.5 degrees	
APPROXIMATE WEIGHT (LBS)	
26.340	
THE INFORMATION CONTAINED IN THIS DRAWING IS THE SOLE PROPERTY OF FIRE PROGRAMS, LLC. ANY REPRODUCTION IN PART OR AS A WHOLE WITHOUT THE WRITTEN PERMISSION OF FIRE PROGRAMS, LLC IS PROHIBITED.	

		6405 SW 38th St, Bldg 200 Ocala, FL 34474 Phone: 800.327.7638 www.fireprograms.com		
		TITLE		
<b>Cstg 6.0 NST x 6.0 ASME x 115</b>		DRAWING NUMBER	REV	SHEET SCALE
<b>500360</b>		A	1:5	
		DATE	SHEET	
		11/7/2023	<b>1 OF 1</b>	

REVISIONS		
REV.	DATE	DESCRIPTION
A	11/7/2023	Initial Release