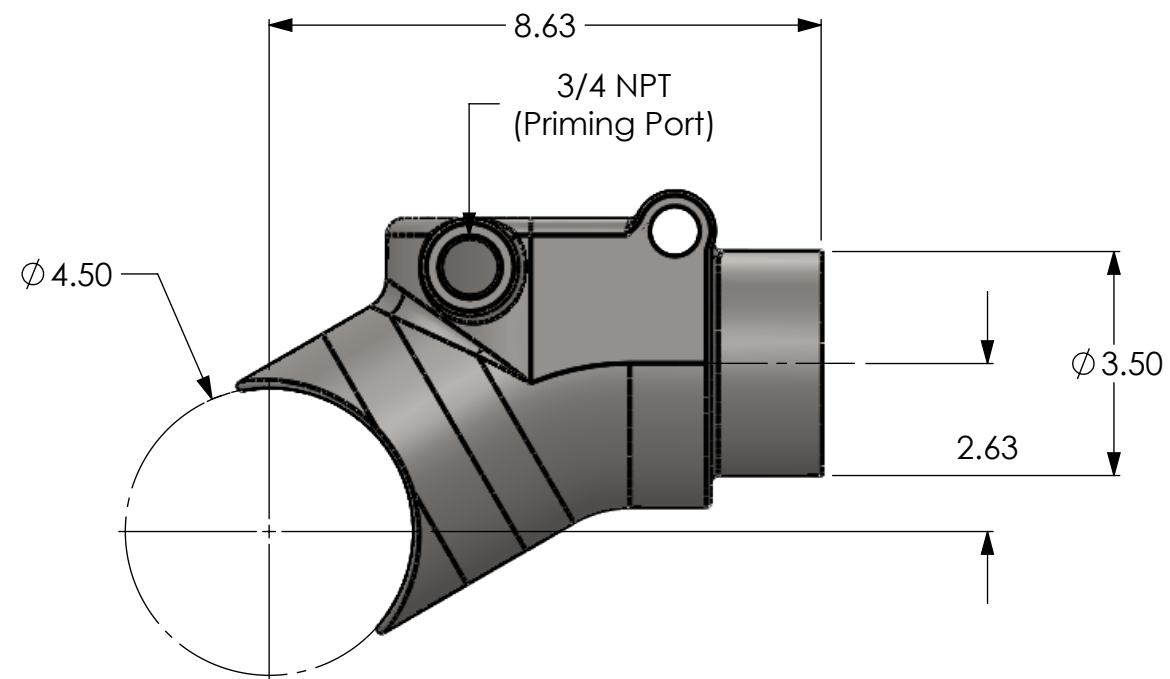
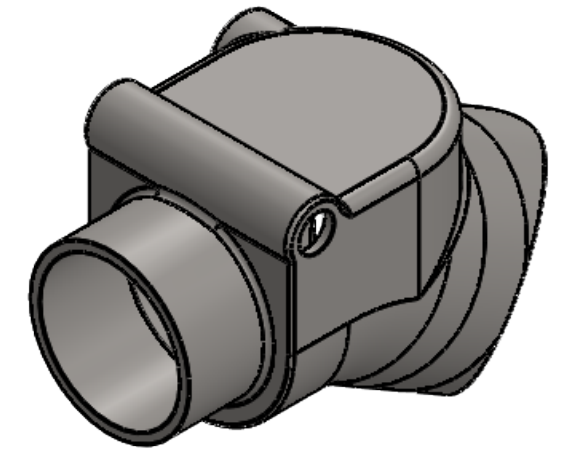
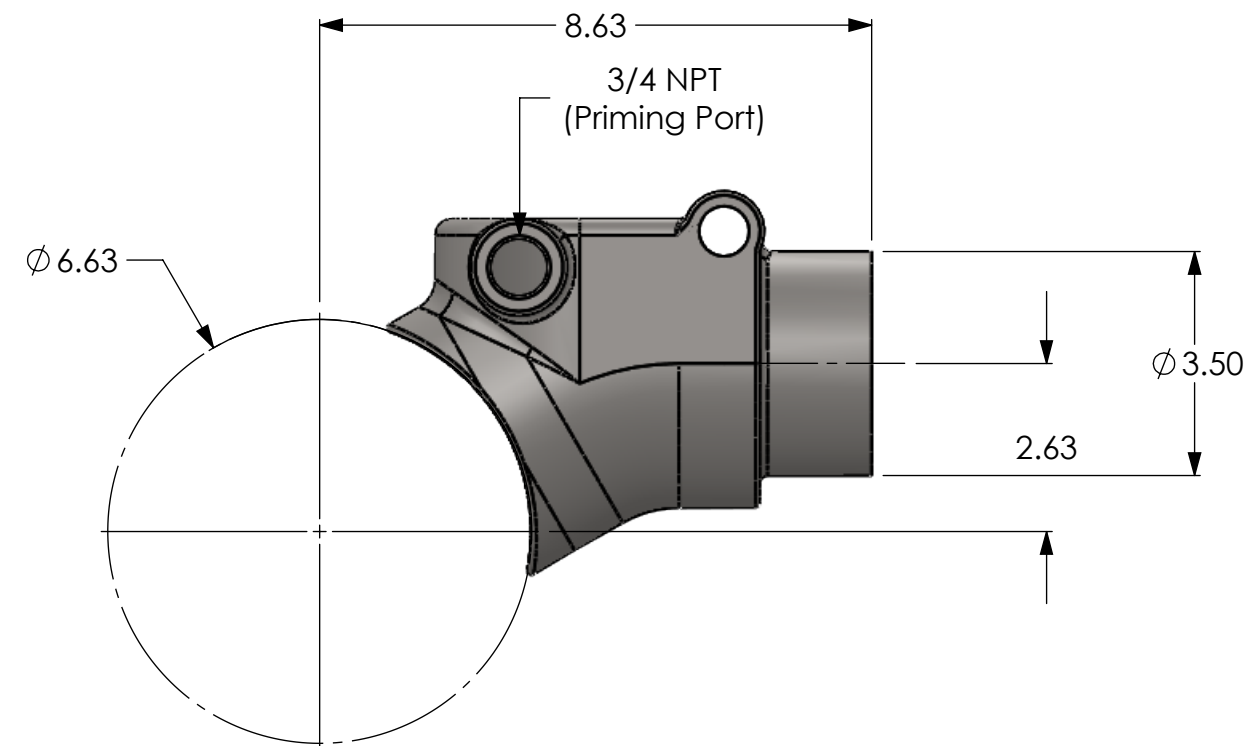


NOTES:

1. MATERIAL: AISI 304 STAINLESS STEEL (PASSIVATED).



500205-4



500205-6

REVISIONS		
REV.	DATE	DESCRIPTION
A	5/18/2018	Initial Release
B	8/9/2018	Added clarification of tolerance to pipe end that inserts into valve flange.

<p>DRAWING NOTES UNLESS OTHERWISE SPECIFIED</p> <ol style="list-style-type: none"> <li>All dimensions are in inches.</li> <li>Do not scale drawing.</li> <li>Decimal Tolerance X.XX = +/- 0.01</li> <li>Decimal Tolerance X.XXX = +/- 0.005</li> <li>Fractional Tolerance X/X = +/- 1/16</li> <li>Angle Tolerance: 0.5 degrees</li> </ol>
<p>APPROXIMATE WEIGHT (LBS)</p> <p>7.11</p>
<p>THE INFORMATION CONTAINED IN THIS DRAWING IS THE SOLE PROPERTY OF FIRE PROGRAMS, LLC. ANY REPRODUCTION IN PART OR AS A WHOLE WITHOUT THE WRITTEN PERMISSION OF FIRE PROGRAMS, LLC IS PROHIBITED.</p>

<p><b>FirePrograms</b> SOFTWARE</p>	<p>6405 SW 38th St, Bldg 200 Ocala, FL 34474 Phone: 800.327.7638 www.fireprograms.com</p>	
	<p>TITLE</p> <p><b>Cstg Offset TTP w Check 3.0 P</b></p>	
<p>DRAWING NUMBER</p> <p><b>500205</b></p>	<p>REV</p> <p>B</p>	<p>SHEET SCALE</p> <p>1:3</p>
	<p>DATE</p> <p>8/9/2018</p>	<p>SHEET</p> <p>1 OF 1</p>