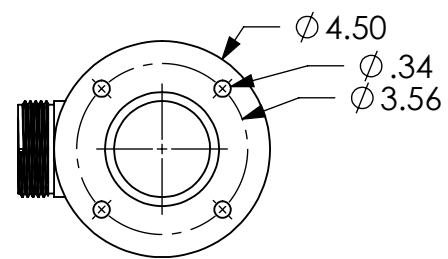
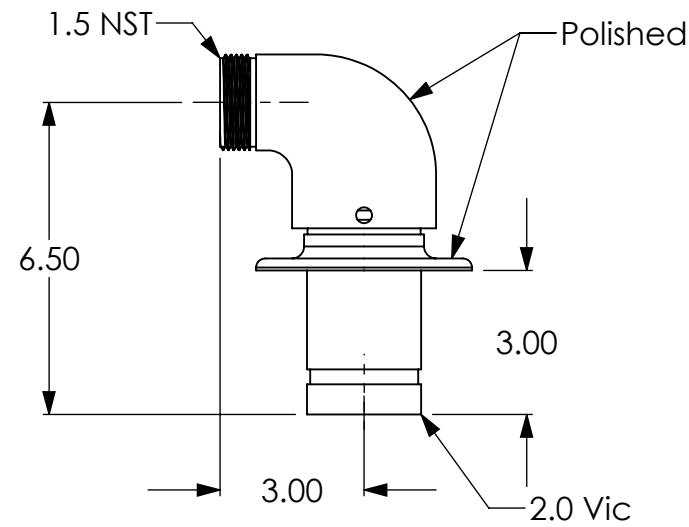


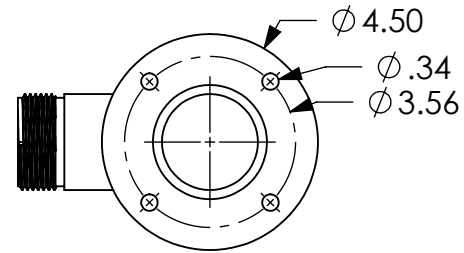
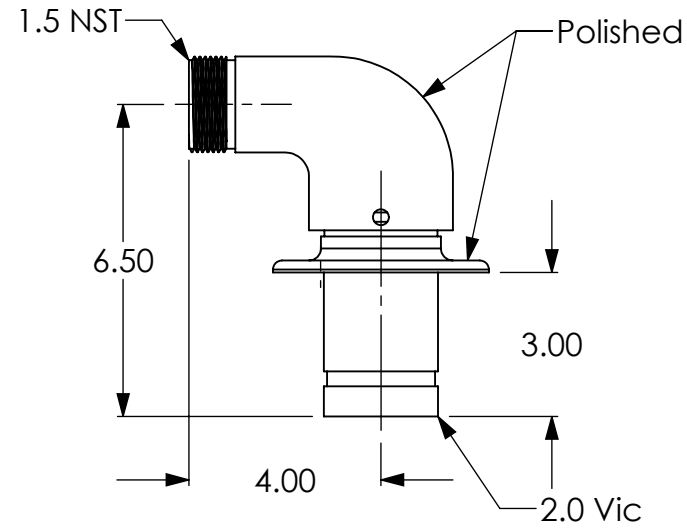
NOTES:

1. MATERIAL: AISI 304 STAINLESS STEEL.

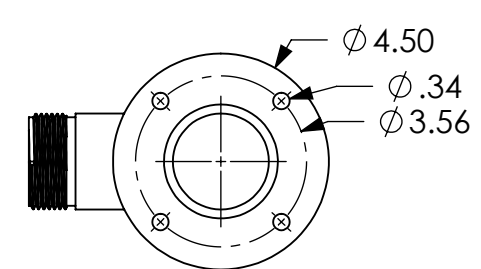
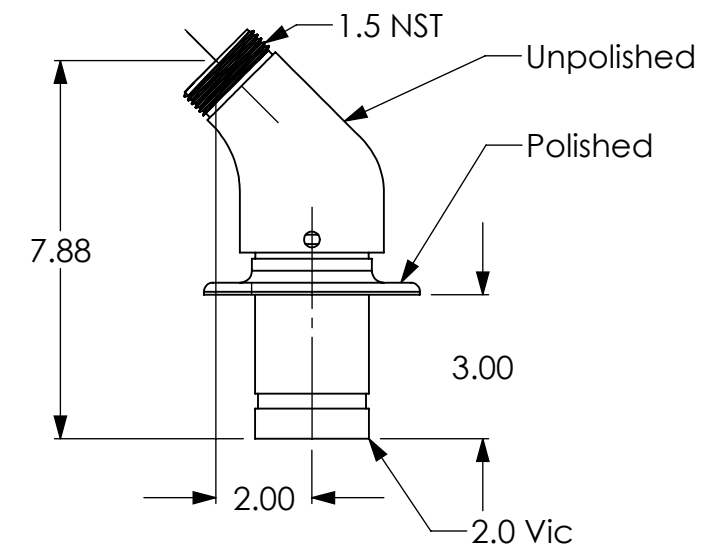
### 500256 SEP-V0650-F



### 500256 SELP-V0650-F



### 500256 SEU45-V0787-F



<p>DRAWING NOTES UNLESS OTHERWISE SPECIFIED</p> <ol style="list-style-type: none"> <li>All dimensions are in inches.</li> <li>Do not scale drawing.</li> <li>Decimal Tolerance X.XX = +/- 0.01</li> <li>Decimal Tolerance X.XXX = +/- 0.005</li> <li>Fractional Tolerance X/X = +/- 1/16</li> <li>Angle Tolerance: 0.5 degrees</li> </ol>	<p>APPROXIMATE WEIGHT (LBS)</p>	<p>THE INFORMATION CONTAINED IN THIS DRAWING IS THE SOLE PROPERTY OF FIRE PROGRAMS, LLC. ANY REPRODUCTION IN PART OR AS A WHOLE WITHOUT THE WRITTEN PERMISSION OF FIRE PROGRAMS, LLC IS PROHIBITED.</p>
---	---------------------------------	---

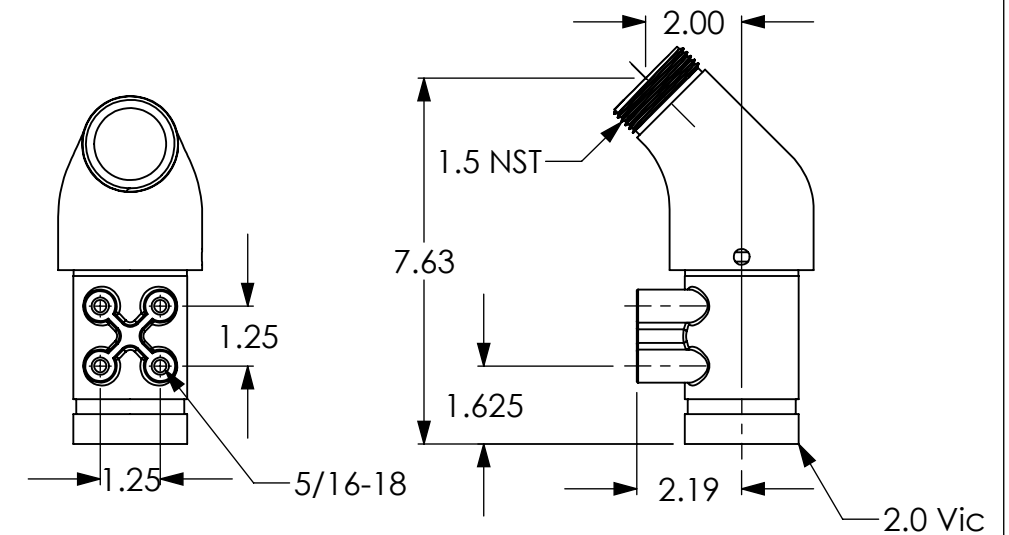
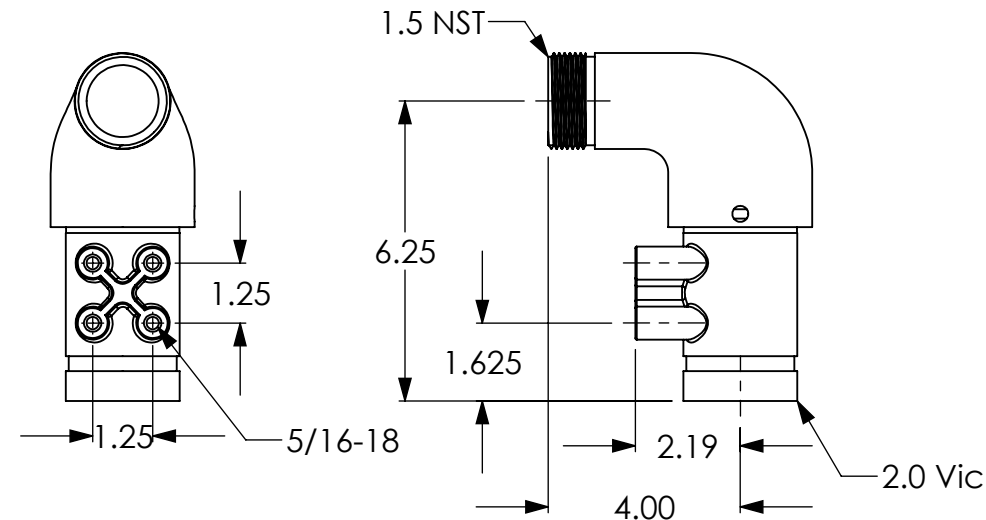
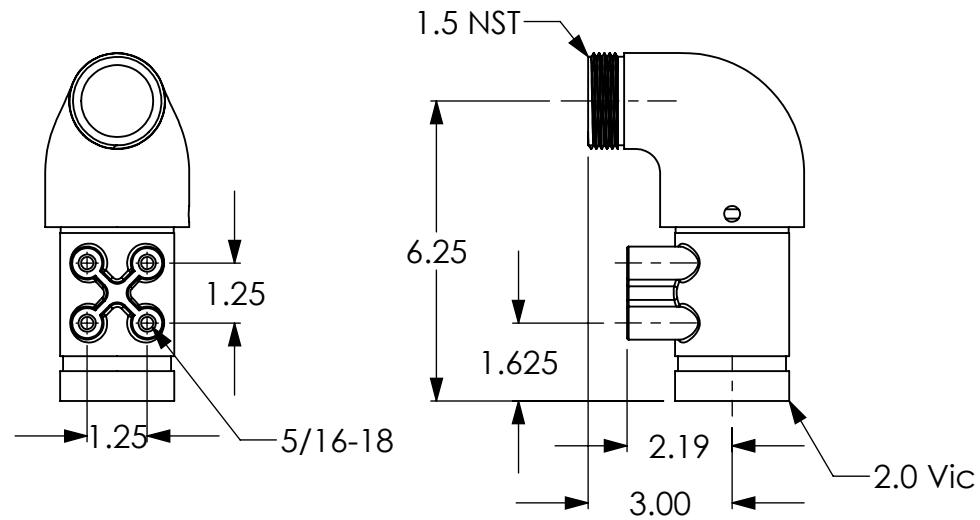
<p><b>FirePrograms</b></p> <p>6405 SW 38th St, Bldg 200 Ocala, FL 34474 Phone: 800.327.7638 www.fireprograms.com</p>	<p>TITLE</p> <p><b>Asy Swivel Elbow 1.5 NST Polished Flange Mount</b></p>								
<p>DRAWING NUMBER</p> <p><b>500256 SEP-V0650-F</b></p>	<table border="1"> <tr> <td>REV</td> <td>SHEET SCALE</td> </tr> <tr> <td>A</td> <td>1:4</td> </tr> <tr> <td>DATE</td> <td>SHEET</td> </tr> <tr> <td>10/27/2020</td> <td>1 OF 3</td> </tr> </table>	REV	SHEET SCALE	A	1:4	DATE	SHEET	10/27/2020	1 OF 3
REV	SHEET SCALE								
A	1:4								
DATE	SHEET								
10/27/2020	1 OF 3								

REVISIONS		
REV.	DATE	DESCRIPTION
A	10/27/2020	Initial Release

500256 SEU-V0625-S (Unpolished)  
 500256 SEP-V0625-S (Polished)

500256 SELP-V0625-S (Polished)

500256 SEU45-V0762-S (Unpolished)



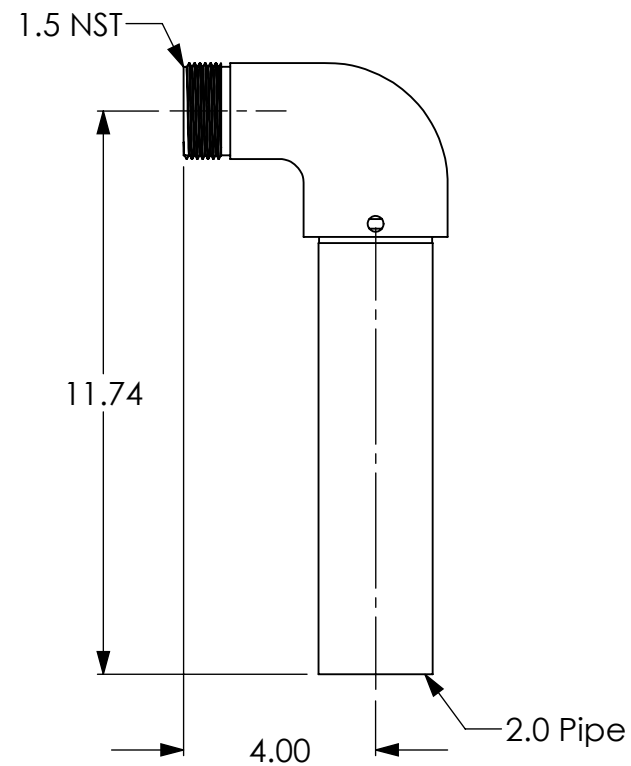
DRAWING NOTES UNLESS OTHERWISE SPECIFIED  
 1. All dimensions are in inches.  
 2. Do not scale drawing.  
 3. Decimal Tolerance X.XX = +/- 0.01  
 4. Decimal Tolerance X.XXX = +/- 0.005  
 5. Fractional Tolerance X/X = +/- 1/16  
 6. Angle Tolerance: 0.5 degrees

APPROXIMATE WEIGHT (LBS)

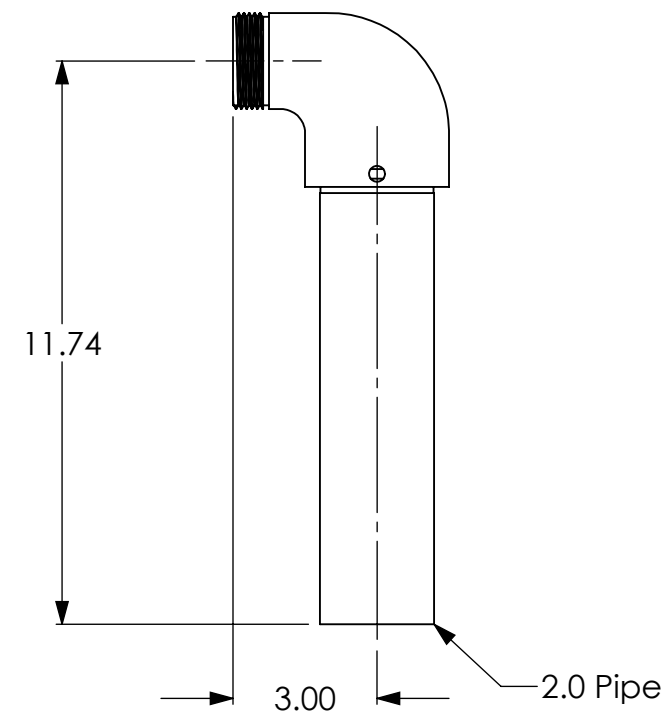
THE INFORMATION CONTAINED IN THIS DRAWING IS THE SOLE PROPERTY OF FIRE PROGRAMS, LLC. ANY REPRODUCTION IN PART OR AS A WHOLE WITHOUT THE WRITTEN PERMISSION OF FIRE PROGRAMS, LLC IS PROHIBITED.

		6405 SW 38th St, Bldg 200 Ocala, FL 34474 Phone: 800.327.7638 www.fireprograms.com	
		TITLE <b>Asy Swivel Elbow 1.5 NST          Polished Side Mount</b>	
DRAWING NUMBER		REV	SHEET SCALE
500256 SEP-V0625-S		A	1:4
		DATE	SHEET
		10/27/2020	2 OF 3

500256 SELP-P1174 (Polished)



500256 SEU-P1174 (Unpolished)  
500256 SEP-P1174 (Polished)



DRAWING NOTES UNLESS OTHERWISE SPECIFIED 1. All dimensions are in inches. 2. Do not scale drawing. 3. Decimal Tolerance X.XX = +/- 0.01 4. Decimal Tolerance X.XXX = +/- 0.005 5. Fractional Tolerance X/X = +/- 1/16 6. Angle Tolerance: 0.5 degrees	<b>FirePrograms</b> 6405 SW 38th St, Bldg 200 Ocala, FL 34474 Phone: 800.327.7638 www.fireprograms.com	
	TITLE <b>Asy Swivel Elbow 1.5 NST Long Polished</b>	
APPROXIMATE WEIGHT (LBS)	DRAWING NUMBER <b>500256 SELP-P1174</b>	
THE INFORMATION CONTAINED IN THIS DRAWING IS THE SOLE PROPERTY OF FIRE PROGRAMS, LLC. ANY REPRODUCTION IN PART OR AS A WHOLE WITHOUT THE WRITTEN PERMISSION OF FIRE PROGRAMS, LLC IS PROHIBITED.	REV A	SHEET SCALE 1:4
	DATE 10/27/2020	SHEET 3 OF 3