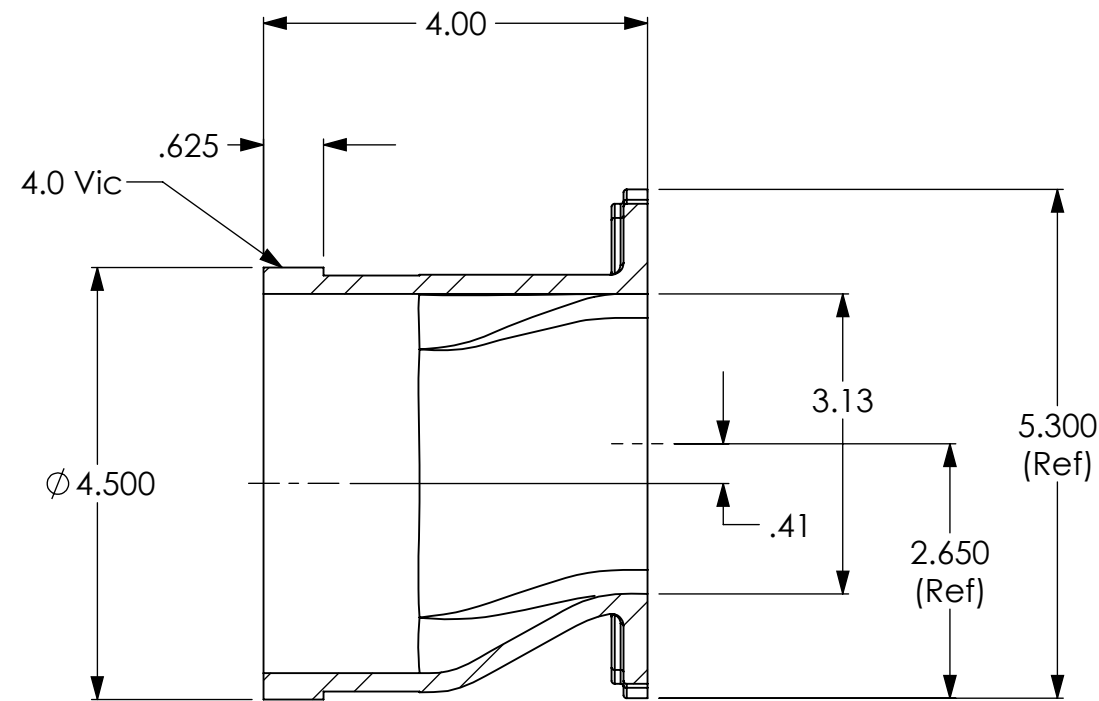
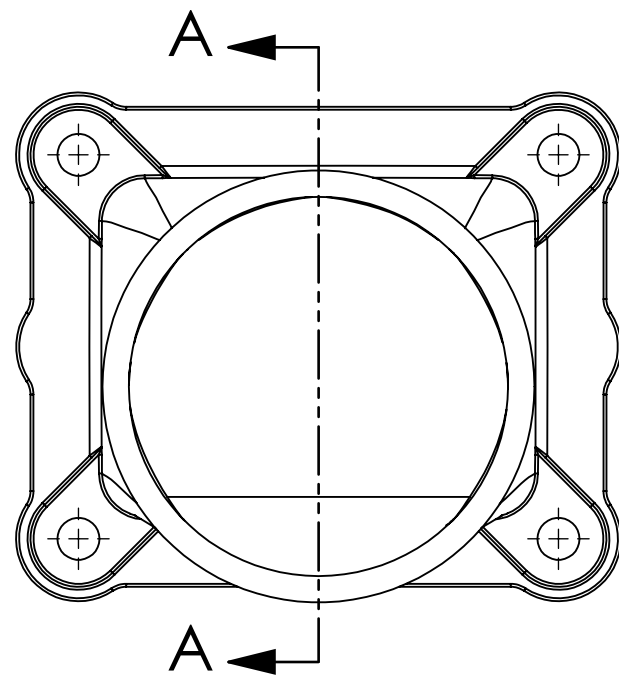
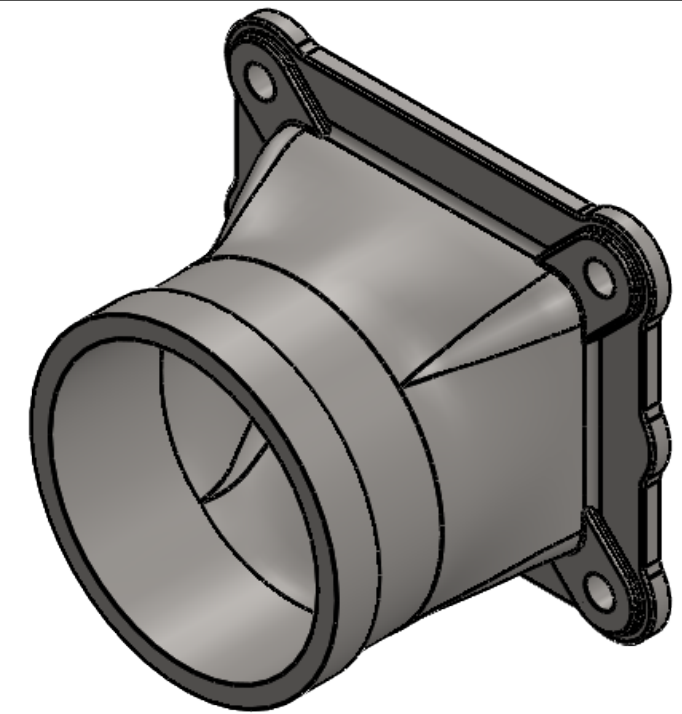
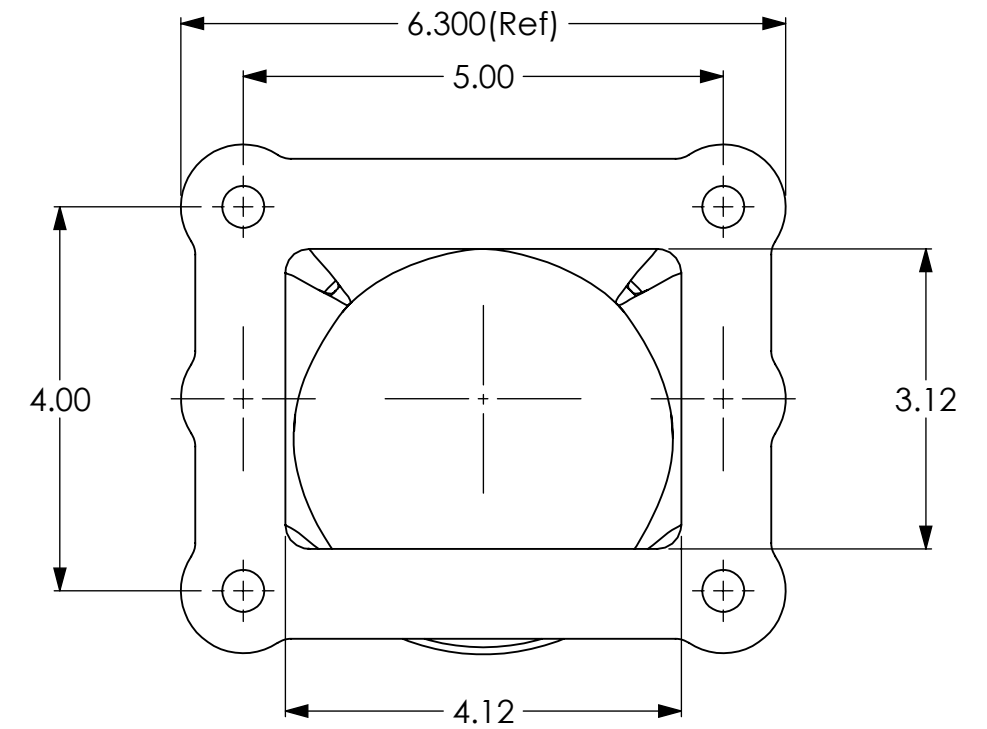


NOTES:

- MATERIAL: AISI 304 STAINLESS STEEL (PASSIVATED).



SECTION A-A



DRAWING NOTES UNLESS OTHERWISE SPECIFIED  
 1. All dimensions are in inches.  
 2. Do not scale drawing.  
 3. Decimal Tolerance X.XX = +/- 0.01  
 4. Decimal Tolerance X.XXX = +/- 0.005  
 5. Fractional Tolerance X/X = +/- 1/16  
 6. Angle Tolerance: 0.5 degrees



6405 SW 38th St, Bldg 200  
 Ocala, FL 34474  
 Phone: 800.327.7638  
 www.fireprograms.com

TITLE  
**Cstg Tank Outlet 4.0 x 4.0 V**

APPROXIMATE WEIGHT (LBS)  
**4.49**

THE INFORMATION CONTAINED IN THIS DRAWING IS THE SOLE PROPERTY OF FIRE PROGRAMS, LLC. ANY REPRODUCTION IN PART OR AS A WHOLE WITHOUT THE WRITTEN PERMISSION OF FIRE PROGRAMS, LLC IS PROHIBITED.

DRAWING NUMBER  
**500190**

REV B	SHEET SCALE 1:2
DATE 6/15/2018	SHEET 1 OF 1

REVISIONS		
REV.	DATE	DESCRIPTION
A	1/31/2018	Initial Release
B	6/15/2018	Added material for additional gasket sealing area.