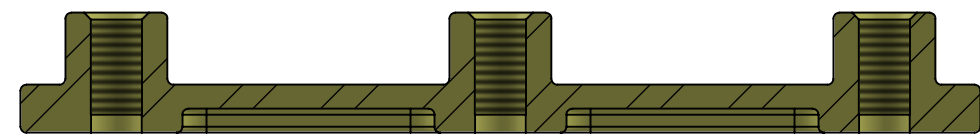
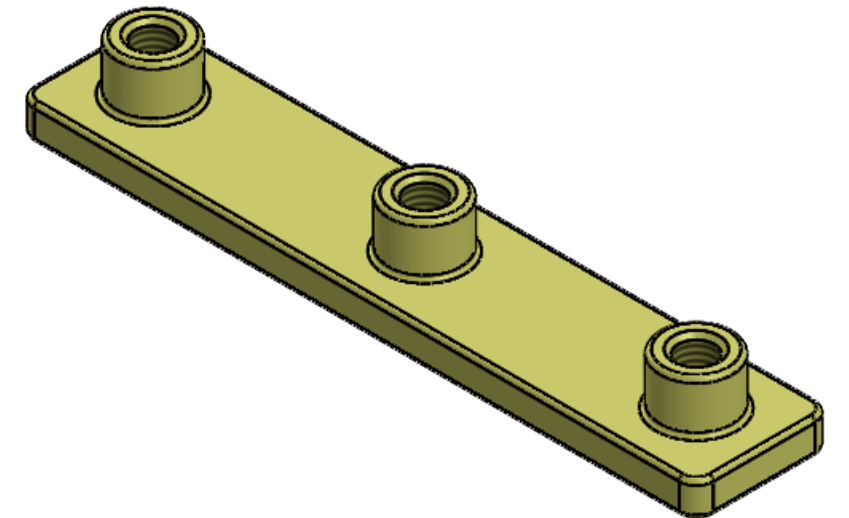
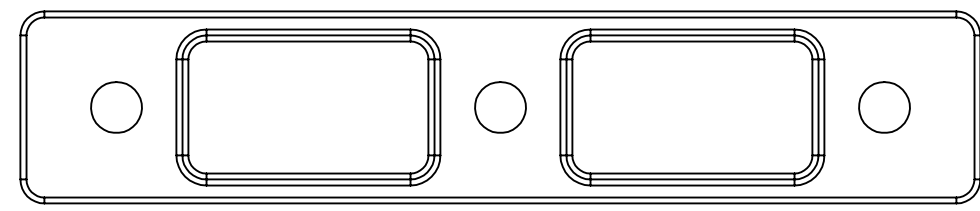
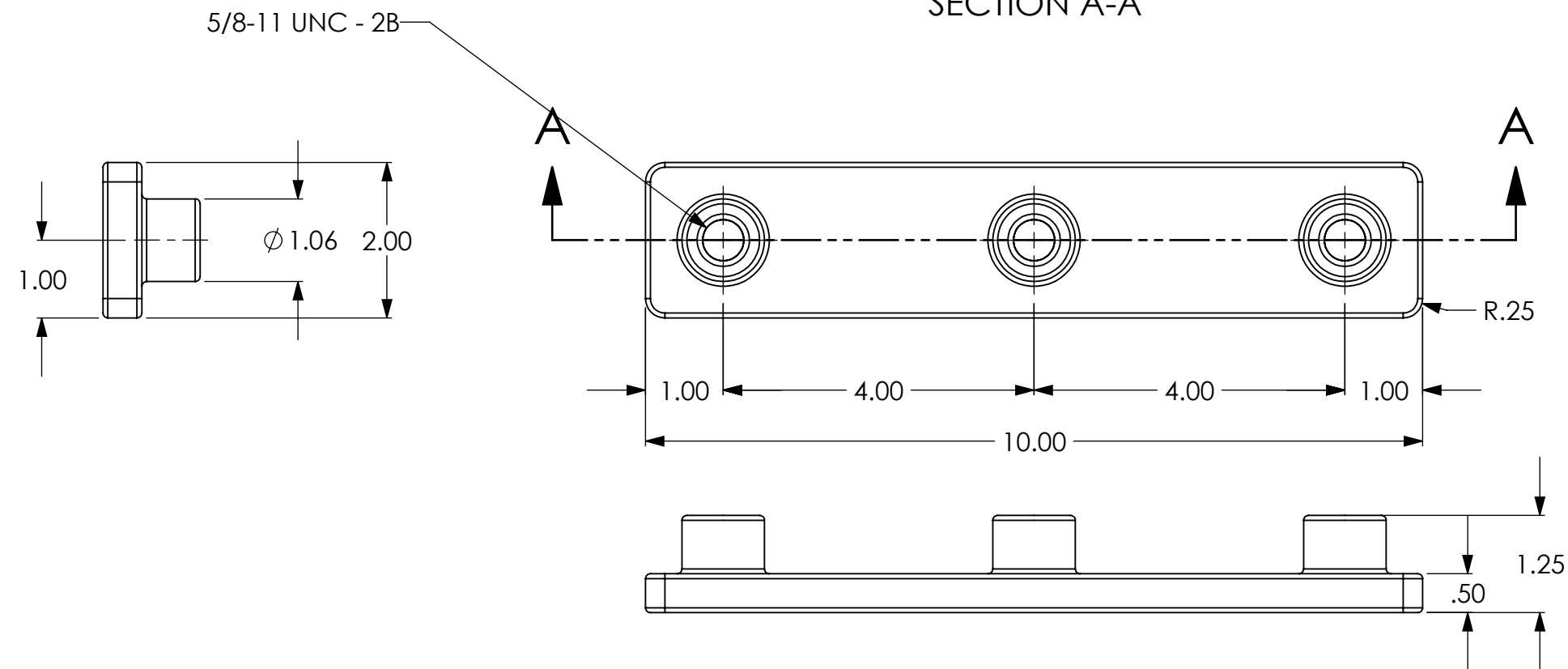


NOTES:

1. STEEL WITH ZINC CHROMATE FINISH.



SECTION A-A



DRAWING NOTES UNLESS OTHERWISE SPECIFIED
 1. All dimensions are in inches.
 2. Do not scale drawing.
 3. Decimal Tolerance X.XX = +/- 0.01
 4. Decimal Tolerance X.XXX = +/- 0.005
 5. Fractional Tolerance X/X = +/- 1/16
 6. Angle Tolerance: 0.5 degrees

APPROXIMATE WEIGHT (LBS)
 2.58

THE INFORMATION CONTAINED IN THIS DRAWING IS THE SOLE PROPERTY OF FIRE PROGRAMS, LLC. ANY REPRODUCTION IN PART OR AS A WHOLE WITHOUT THE WRITTEN PERMISSION OF FIRE PROGRAMS, LLC IS PROHIBITED.

| | | | |
|---------------------------------|--|---|--------------------|
| | | 6405 SW 38th St, Bldg 200 Ocala, FL 34474 Phone: 800.327.7638 www.fireprograms.com | |
| | | TITLE Cstg Tank Mtg Brkt | |
| DRAWING NUMBER 500141 | | REV A | SHEET SCALE 1:2 |
| | | DATE 1/26/2017 | SHEET 1 OF 1 |

| REVISIONS | | |
|-----------|-----------|-----------------|
| REV. | DATE | DESCRIPTION |
| A | 1/26/2017 | Initial Release |